

Flansch, glatt

Art. 11-071J05K

05K

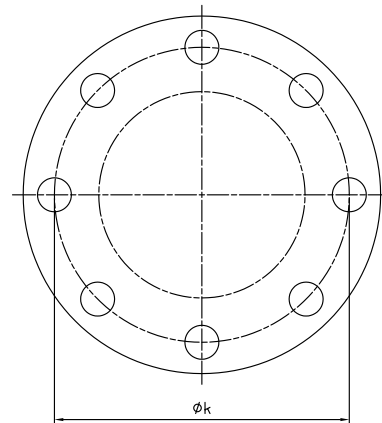
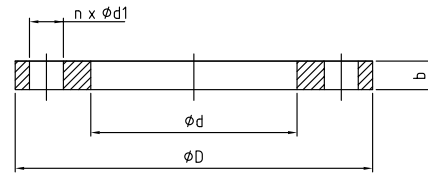
flat flange

zum Schweißen

Gehäuse: Stahl

for welding

Body: steel



| DN | ϕd | ϕD | ϕk | n x $\phi d1$ | b | kg | IMPA | | | | | | | | | | IMPA |
|-----|----------|----------|----------|---------------|----|------|--------|--|--|--|--|--|--|--|--|--|------|
| 15 | 22,2 | 80 | 60 | 4 x 12 | 9 | 0,47 | 734602 | | | | | | | | | | |
| 20 | 27,2 | 85 | 65 | 4 x 12 | 10 | 0,61 | 734603 | | | | | | | | | | |
| 25 | 34,5 | 95 | 75 | 4 x 12 | 10 | 0,82 | 734604 | | | | | | | | | | |
| 32 | 43,2 | 115 | 90 | 4 x 15 | 12 | 0,98 | 734605 | | | | | | | | | | |
| 40 | 49,1 | 120 | 95 | 4 x 15 | 12 | 1,25 | 734606 | | | | | | | | | | |
| 50 | 61,1 | 130 | 105 | 4 x 15 | 14 | 1,6 | 734607 | | | | | | | | | | |
| 65 | 77,1 | 155 | 130 | 4 x 15 | 14 | 1,9 | 734608 | | | | | | | | | | |
| 80 | 90,0 | 180 | 145 | 4 x 19 | 14 | 2,15 | 734609 | | | | | | | | | | |
| 90 | 102,6 | 190 | 155 | 4 x 19 | 14 | 2,55 | 750254 | | | | | | | | | | |
| 100 | 115,4 | 200 | 165 | 8 x 19 | 16 | 3,05 | 734610 | | | | | | | | | | |
| 125 | 141,2 | 235 | 200 | 8 x 19 | 16 | 3,9 | 734611 | | | | | | | | | | |
| 150 | 166,6 | 265 | 230 | 8 x 19 | 18 | 4,9 | 734612 | | | | | | | | | | |
| 175 | 192,1 | 300 | 260 | 8 x 23 | 18 | 5,8 | - | | | | | | | | | | |
| 200 | 218,0 | 320 | 280 | 8 x 23 | 20 | 7,1 | 734613 | | | | | | | | | | |
| 250 | 269,5 | 385 | 345 | 12 x 23 | 22 | 13,2 | 734614 | | | | | | | | | | |
| 300 | 321,0 | 430 | 390 | 12 x 23 | 22 | 14,8 | 734615 | | | | | | | | | | |
| 350 | 358,1 | 480 | 435 | 12 x 25 | 24 | 16,2 | - | | | | | | | | | | |
| 400 | 409,0 | 540 | 495 | 16 x 25 | 24 | 17,2 | - | | | | | | | | | | |
| 450 | 460,0 | 606 | 555 | 16 x 25 | 24 | 20,1 | - | | | | | | | | | | |
| 500 | 511,0 | 666 | 605 | 20 x 25 | 24 | 24,5 | - | | | | | | | | | | |
| 550 | 562,0 | 720 | 665 | 20 x 27 | 26 | 28,6 | - | | | | | | | | | | |
| 600 | 613,0 | 770 | 715 | 20 x 27 | 26 | 32,1 | - | | | | | | | | | | |

Alle Angaben sind unverbindlich und bleiben technischen Änderungen vorbehalten.
All data are not binding and subjected to change without notice.



Fritz Barthel Armaturen GmbH & Co. KG

Schnackenburgallee 16
22525 Hamburg (Germany)

Phone +49 (0) 40 398202-0
Fax +49 (0) 40 398202-77

E-Mail post@barthel-armaturen.de
Internet www.barthel-armaturen.de

11.2015