

Flansch-Rückschlagventil (absperrrbar)

Art. 01-389J05K

05K

Flanged SDNR Valve

JIS F7354

Bügeldeckel und Stopfbuchse

loser Kegel

Form: Eckform

Anschluß: Flansche nach JIS B2220 - 05K

Temperaturbereich: -10°C - 180°C

Anwendungsbereich: neutrale Gase, Schmieröl,

Wasser bis 100°C, Seewasser, Kalt- und

Warmwasser

bolted bonnet and gland

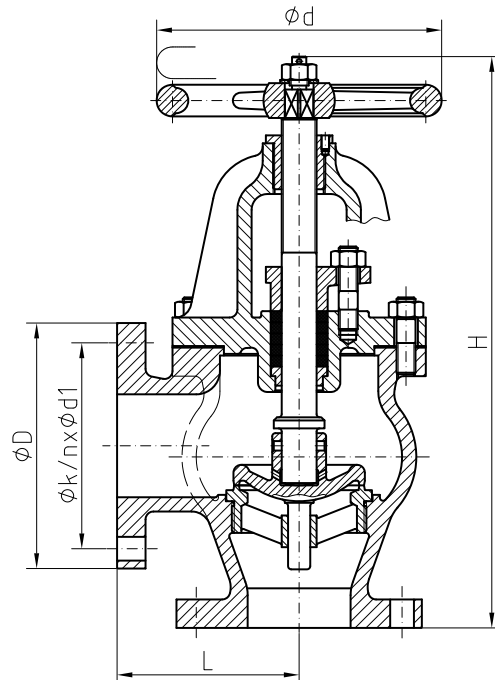
SDNR-plug

Form: angle type

Connection: flanges acc. to JIS B2220 - 05K

temperature range: -10°C - 180°C

application range: neutral gases, lubrication oil,
water up to 100°C, seawater, cold and warm water



| | | | | |
|---|--------------|----------|-----------|---------|
| 1 | Gehäuse/body | Grauguss | cast iron | FC20 |
| 2 | Sitz/seat | Bronze | bronze | BC6 |
| 3 | Kegel/disc | Bronze | bronze | BC6 |
| 4 | Spindel/stem | Messing | brass | C3771BD |

| DN | L | H | øD | øk | n x ød1 | ød | kg | | | | | | | | IMPA |
|-----|-----|-----|-----|-----|---------|-----|-------|--|--|--|--|--|--|--|--------|
| 050 | 100 | 240 | 130 | 105 | 4 x 15 | 160 | 12,9 | | | | | | | | 751116 |
| 065 | 115 | 255 | 155 | 130 | 4 x 15 | 180 | 18,2 | | | | | | | | 751117 |
| 080 | 130 | 265 | 180 | 145 | 4 x 19 | 180 | 23,4 | | | | | | | | 751118 |
| 100 | 150 | 310 | 200 | 165 | 8 x 19 | 224 | 33,7 | | | | | | | | 751119 |
| 125 | 170 | 330 | 235 | 200 | 8 x 19 | 250 | 46,2 | | | | | | | | 751120 |
| 150 | 190 | 380 | 265 | 230 | 8 x 19 | 280 | 63,4 | | | | | | | | 751121 |
| 200 | 220 | 450 | 320 | 280 | 8 x 23 | 315 | 105,0 | | | | | | | | 751122 |
| 250 | 275 | 540 | 385 | 345 | 12 x 23 | 355 | 166,0 | | | | | | | | 751123 |
| 300 | 310 | 610 | 430 | 390 | 12 x 23 | 400 | 243,0 | | | | | | | | 751124 |
| 350 | 360 | 690 | 480 | 435 | 12 x 25 | 500 | 327,0 | | | | | | | | 751125 |
| 400 | 395 | 770 | 540 | 495 | 16 x 25 | 630 | 459,0 | | | | | | | | 751126 |
| 450 | 440 | 835 | 605 | 555 | 16 x 25 | 630 | 618,0 | | | | | | | | 751127 |
| 500 | 485 | 915 | 655 | 605 | 20 x 25 | 710 | 800,0 | | | | | | | | 751128 |

Optional:

- zusätzliche Schließfeder

(Zusatz F)

optional:

- additional closing spring

(addition F)

Alle Angaben sind unverbindlich und bleiben technischen Änderungen vorbehalten.
All data are not binding and subjected to change without notice.



Fritz Barthel Armaturen GmbH & Co. KG

Schnackenburgallee 16
22525 Hamburg (Germany)

Phone +49 (0) 40 398202-0
Fax +49 (0) 40 398202-77

E-Mail post@barthel-armaturen.de
Internet www.barthel-armaturen.de

02.2017