

Vollhub-Sicherheitsventil, federbelastet

Art. 05-033GHOA

PN40/16

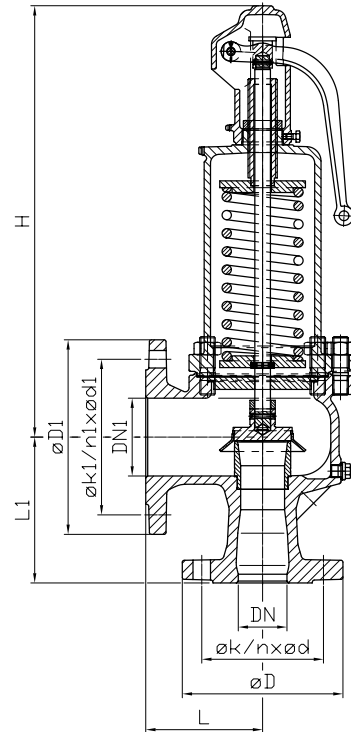
full-lift safety valve spring loaded

Flansche nach DIN PN40/16

Gehäuse: Sphäroguss
 Innenteile: Edelstahl
 Sitzdichtung: metallisch
 Temperaturbereich: -10°C - 350°C

flanges acc. to DIN PN40/16

Body: nodular cast iron
 Inner parts: stainless steel
 Seat sealing: metallic
 temperature range: -10°C - 350°C



| DN/DN1 | PN/PN1 | L/L1 | H | øD | øk | n x ød | øD1 | øk1 | n1 x ød1 | do | kg |
|---------|--------|---------|-----|-----|-----|--------|-----|-----|----------|------|-----|
| 20/32 | 40/16 | 85/95 | 270 | 105 | 75 | 4 x 14 | 140 | 100 | 4 x 18 | 18 | 8,5 |
| 25/40 | 40/16 | 100/105 | 280 | 115 | 85 | 4 x 14 | 150 | 110 | 4 x 18 | 22,5 | 10 |
| 32/50 | 40/16 | 110/115 | 330 | 140 | 100 | 4 x 18 | 165 | 125 | 4 x 18 | 29 | 14 |
| 40/65 | 40/16 | 115/140 | 390 | 150 | 110 | 4 x 18 | 185 | 145 | 4 x 18 | 36 | 20 |
| 50/80 | 40/16 | 120/150 | 435 | 165 | 125 | 4 x 18 | 200 | 160 | 8 x 18 | 45 | 28 |
| 65/100 | 40/16 | 140/170 | 545 | 185 | 145 | 8 x 18 | 220 | 180 | 8 x 18 | 58,5 | 40 |
| 80/125 | 40/16 | 160/195 | 610 | 200 | 160 | 8 x 18 | 250 | 210 | 8 x 18 | 72 | 53 |
| 100/150 | 40/16 | 180/220 | 690 | 220 | 180 | 8 x 18 | 285 | 240 | 8 x 22 | 90 | 80 |
| 125/200 | 40/16 | 200/250 | 845 | 250 | 210 | 8 x 18 | 340 | 295 | 12 x 22 | 106 | 125 |
| 150/250 | 40/16 | 225/285 | 890 | 285 | 240 | 8 x 22 | 405 | 355 | 12 x 26 | 125 | 165 |
| | | | | | | | | | | | |

Bei Bestellung Ansprechdruck angeben.

Please state set pressure with order.

Alle Angaben sind unverbindlich und bleiben technischen Änderungen vorbehalten.
 All data are not binding and subjected to change without notice.



Fritz Barthel Armaturen GmbH & Co. KG

Schnackenburgallee 16
 22525 Hamburg (Germany)

Phone +49 (0) 40 398202-0
 Fax +49 (0) 40 398202-77

E-Mail post@barthel-armaturen.de
 Internet www.barthel-armaturen.de

06.2010