

### Flansch-Absperrventil

Art. 01-423J10K

10K

*flanged globe valve*

JIS F7472

Bügeldeckel und Stopfbuchse

loser Kegel

**Form:** Eckform

**Anschluß:** Flansche nach JIS B2220 - 10K

**Temperaturbereich:** -20°C - 300°C

**Anwendungsbereich:** Dampf, Kraftstoffe, neutrale Gase, Schmieröl

*bolted bonnet and gland*

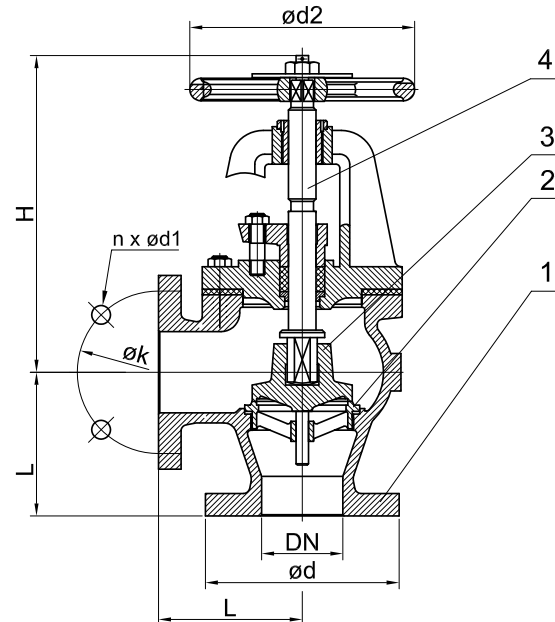
*SDNR-plug*

**Form:** angle type

**Connection:** flanges acc. to JIS B2220 - 10K

**temperature range:** -20°C - 300°C

**application range:** steam, petrol/fuel oil, neutral gases, lubrication oil



|   |              |           |                 |        |
|---|--------------|-----------|-----------------|--------|
| 1 | Gehäuse/body | Stahlguss | cast steel      | SC49   |
| 2 | Sitz/seat    | Edelstahl | stainless steel | SCS2   |
| 3 | Kegel/disc   | Edelstahl | stainless steel | SCS2   |
| 4 | Spindel/stem | Edelstahl | stainless steel | SUS403 |

| DN  | L   | H   | ød  | øk  | n x ød1 | ød2 | kg    |  |  |  |  |  |  |  | IMPA   |
|-----|-----|-----|-----|-----|---------|-----|-------|--|--|--|--|--|--|--|--------|
| 050 | 120 | 240 | 155 | 120 | 4 x 19  | 160 | 16,3  |  |  |  |  |  |  |  | 751216 |
| 065 | 130 | 260 | 175 | 140 | 4 x 19  | 200 | 23,0  |  |  |  |  |  |  |  | 751217 |
| 080 | 140 | 265 | 185 | 150 | 8 x 19  | 200 | 25,3  |  |  |  |  |  |  |  | 751218 |
| 100 | 160 | 300 | 210 | 175 | 8 x 19  | 250 | 37,0  |  |  |  |  |  |  |  | 751219 |
| 125 | 180 | 350 | 250 | 210 | 8 x 23  | 280 | 57,1  |  |  |  |  |  |  |  | 751220 |
| 150 | 205 | 400 | 280 | 240 | 8 x 23  | 315 | 77,2  |  |  |  |  |  |  |  | 751221 |
| 200 | 230 | 480 | 330 | 290 | 12 x 23 | 355 | 116,0 |  |  |  |  |  |  |  | 751222 |
| 250 | 290 | 535 | 400 | 355 | 12 x 25 | 400 | 188,0 |  |  |  |  |  |  |  | -      |
| 300 | 320 | 610 | 445 | 400 | 16 x 25 | 450 | 256,0 |  |  |  |  |  |  |  | -      |

Optional:

- zusätzliche Schließfeder  
(Zusatz F)

*optional:*

*- additional closing spring  
(addition F)*

Alle Angaben sind unverbindlich und bleiben technischen Änderungen vorbehalten.  
All data are not binding and subjected to change without notice.



**Fritz Barthel Armaturen GmbH & Co. KG**

Schnackenburgallee 16  
22525 Hamburg (Germany)

Phone +49 (0) 40 398202-0  
Fax +49 (0) 40 398202-77

E-Mail post@barthel-armaturen.de  
Internet www.barthel-armaturen.de

11.2015