

Hochdruck-Absperrventil

Art. 01-151

PN160/250/400/630

high-pressure stop valve

VDHa

innen liegendes Spindelgewinde

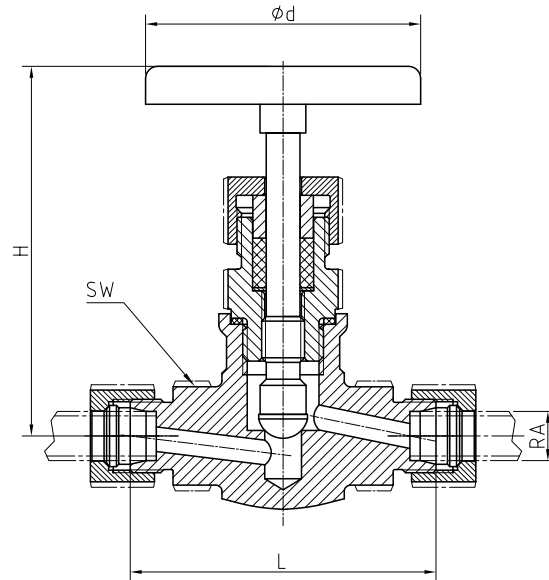
schwere Baureihe

- Form:** Durchgangsform
- Anschluß:** beiderseits Schneidringverschraubung
- Gehäuse:** Edelstahl 1.4571
- Innenteile:** Edelstahl 1.4571
- Sitzdichtung:** metallisch
- Temperaturbereich:** -10°C - 300°C
- Anwendungsbereich:** Dampf, Kraftstoffe, neutrale Gase, Schmieröl, Kalt- und Warmwasser

internal threaded spindle

heavy series

- Form:** straight type
- Connection:** both ends cutting ring connections
- Body:** stainless steel
- Inner parts:** stainless steel
- Seat sealing:** metallic
- temperature range:** -10°C - 300°C
- application range:** steam, petrol/fuel oil, neutral gases, lubrication oil, cold and warm water



| DN | RA | PN | L | H | Ød | SW | | | | | | | | | | |
|----|----|-----|-----|-----|-----|----|--|--|--|--|--|--|--|--|--|--|
| 4 | 6 | 630 | 80 | 120 | 70 | 30 | | | | | | | | | | |
| 5 | 8 | 630 | 80 | 120 | 70 | 30 | | | | | | | | | | |
| 7 | 10 | 630 | 80 | 120 | 70 | 30 | | | | | | | | | | |
| 10 | 14 | 630 | 100 | 135 | 90 | 36 | | | | | | | | | | |
| 12 | 16 | 400 | 100 | 135 | 90 | 36 | | | | | | | | | | |
| 13 | 20 | 400 | 100 | 135 | 90 | 36 | | | | | | | | | | |
| 17 | 25 | 250 | 143 | 165 | 100 | 50 | | | | | | | | | | |
| 22 | 30 | 160 | 130 | 175 | 100 | 50 | | | | | | | | | | |
| 28 | 38 | 160 | 160 | 220 | 160 | 60 | | | | | | | | | | |
| | | | | | | | | | | | | | | | | |

Alle Angaben sind unverbindlich und bleiben technischen Änderungen vorbehalten.
All data are not binding and subjected to change without notice.

