

### Muffen-Absperrventil

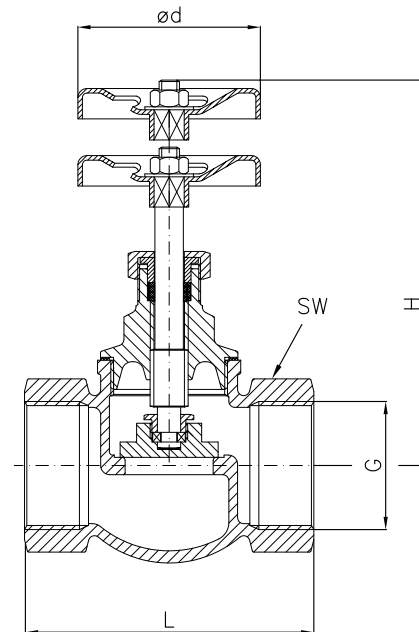
Art. 01-002 017

PN16

#### stop valve female thread

eingeschraubtes Kopfstück

- Form:** Durchgangsform  
**Anschluß:** Innengewinde nach ISO 228/1 oder NPT  
**Gehäuse:** Rotguss (2.1096 / CC491K)  
**Innenteile:** Messing  
**Sitzdichtung:** metallisch  
**Temperaturbereich:** -10°C - 150°C  
**Anwendungsbereich:** neutrale Gase, Schmieröl, Wasser bis 100°C, Seewasser, Kalt- und Warmwasser



screwed bonnet

- Form:** straight type  
**Connection:** female thread acc. to ISO 228/1 or NPT  
**Body:** gunmetal  
**Inner parts:** brass  
**Seat sealing:** metallic  
**temperature range:** -10°C - 150°C  
**application range:** neutral gases, lubrication oil, water up to 100°C, seawater, cold and warm water

| G     | L    | H   | ød  | kg   |  |  |  |  |  |  |  |  |  |  |  |  |  |  |
|-------|------|-----|-----|------|--|--|--|--|--|--|--|--|--|--|--|--|--|--|
| 1/4   | 54   | 78  | 55  | 0,3  |  |  |  |  |  |  |  |  |  |  |  |  |  |  |
| 3/8   | 54   | 78  | 55  | 0,3  |  |  |  |  |  |  |  |  |  |  |  |  |  |  |
| 1/2   | 54   | 78  | 55  | 0,3  |  |  |  |  |  |  |  |  |  |  |  |  |  |  |
| 3/4   | 71   | 91  | 70  | 0,5  |  |  |  |  |  |  |  |  |  |  |  |  |  |  |
| 1     | 80,5 | 101 | 70  | 0,7  |  |  |  |  |  |  |  |  |  |  |  |  |  |  |
| 1 1/4 | 96   | 118 | 80  | 1,0  |  |  |  |  |  |  |  |  |  |  |  |  |  |  |
| 1 1/2 | 104  | 137 | 80  | 1,3  |  |  |  |  |  |  |  |  |  |  |  |  |  |  |
| 2     | 128  | 152 | 90  | 2,1  |  |  |  |  |  |  |  |  |  |  |  |  |  |  |
| 2 1/2 | 155  | 213 | 125 | 4,0  |  |  |  |  |  |  |  |  |  |  |  |  |  |  |
| 3     | 173  | 230 | 150 | 5,5  |  |  |  |  |  |  |  |  |  |  |  |  |  |  |
| 4     | 199  | 260 | 150 | 12,0 |  |  |  |  |  |  |  |  |  |  |  |  |  |  |

Weitere Ausführung:  
 Art. 01-002 018 mit Drosselkegel

Further options:  
 art. 01-002 018 with throttling plug

Alle Angaben sind unverbindlich und bleiben technischen Änderungen vorbehalten.  
 All data are not binding and subjected to change without notice.



Fritz Barthel Armaturen GmbH & Co. KG

Schnackenburgallee 16  
 22525 Hamburg (Germany)

Phone +49 (0) 40 398202-0  
 Fax +49 (0) 40 398202-77

E-Mail post@barthel-armaturen.de  
 Internet www.barthel-armaturen.de

11.2010